



Sink Bernini 36" x 21" – U/M - (USA)

Kitchen Sinks

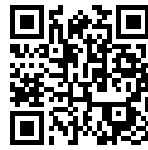
Code: 3780 660

AISI 304 Stainless steel

Satin finish

Undermount

x cross bending for easy water draining



DETAILS

Edge/Installation Type	Undermount
Series	Bernini
Finish	Satin finish
Material	AISI 304 stainless steel
Thickness	16 Gauge (1.5 mm)
Overall dimensions	37 ³¹ / ₆₄ " x 22 ³¹ / ₆₄ "
Bowls dimensions	1 bowl 36" x 15 ³ / ₄ "
Bowls depth	10"

Cut out 36" x 21"

Waste fitting type 3 1/2" - with stainless steel basket

Bowls bottom X cross bending for easy water draining

Fixing system Undermount fixing kit (brass insert and clips)

Underside Protected with heavy duty undercoating

Notes: Accessory code **8100 709** (kit black support frame + Iroko wood chopping board) supplied

FEATURES

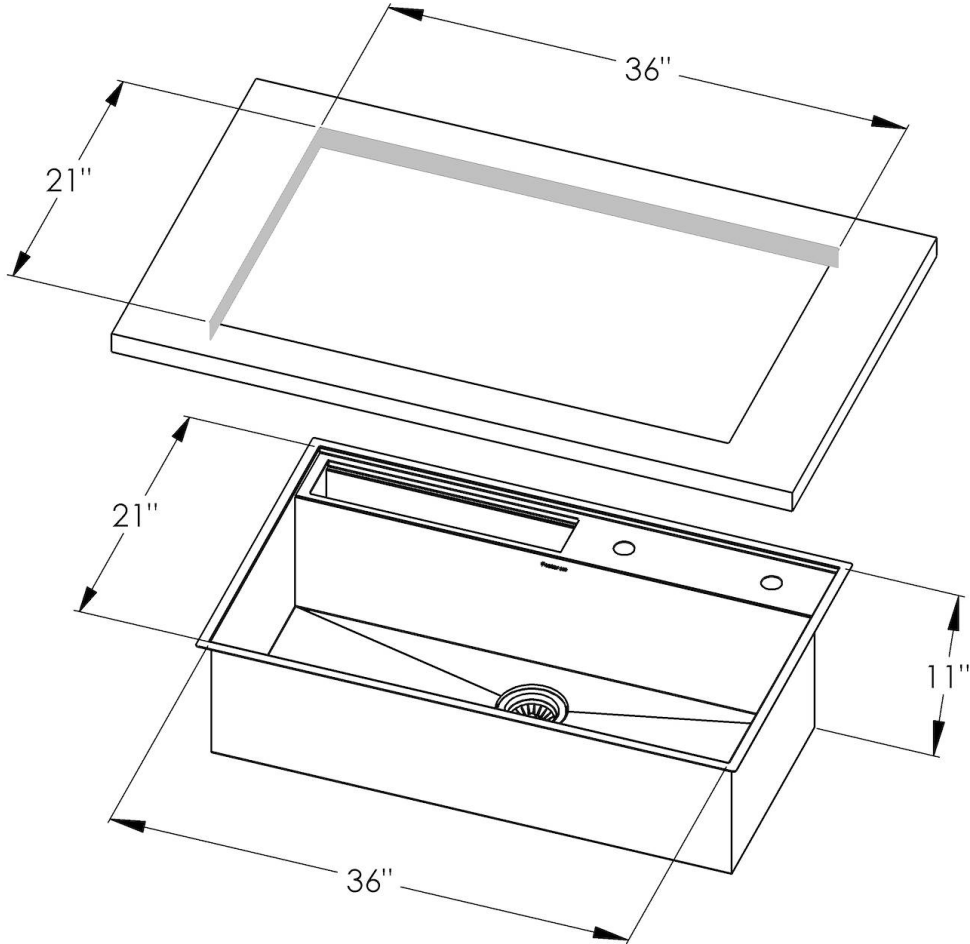
Diamond-shape bottom The draining of water is an important feature in a sink, and it's always taken good care of in Foster products. In the bent-welded sinks, which would have a flat bottom, the proper draining is guaranteed by the elegant beveling, which helps the water flow.

High thickness 1.5 mm thick steel. A significant thickness, which guarantees the maximum sturdiness and durability.

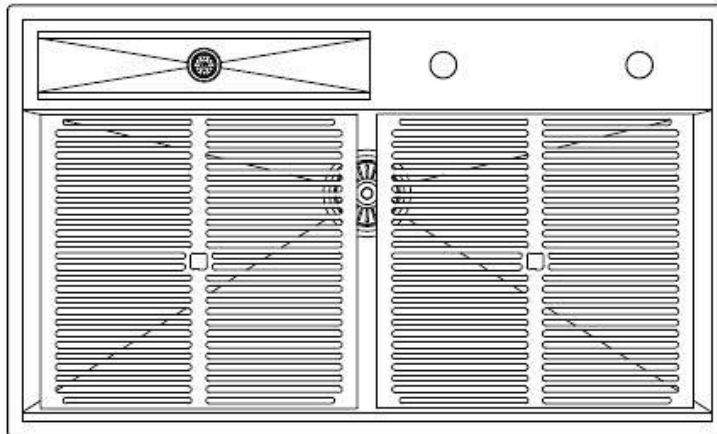
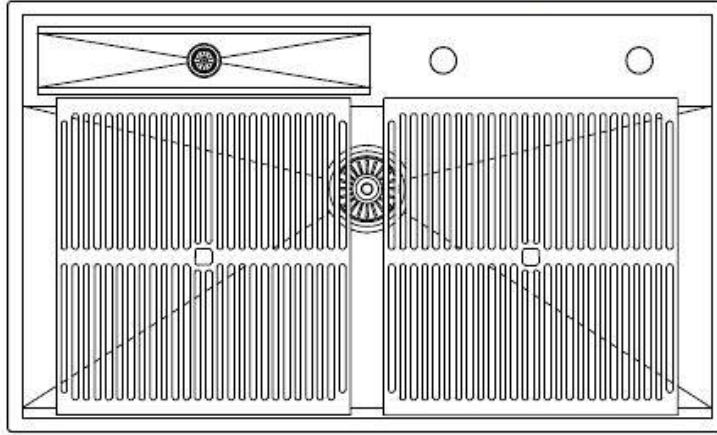
Basket 3,5" waste fitting The drain is equipped with a large 3.5" drain, with the practical basket cap that prevents the discharge of solid parts.

TECHNICAL DATA

3780 660



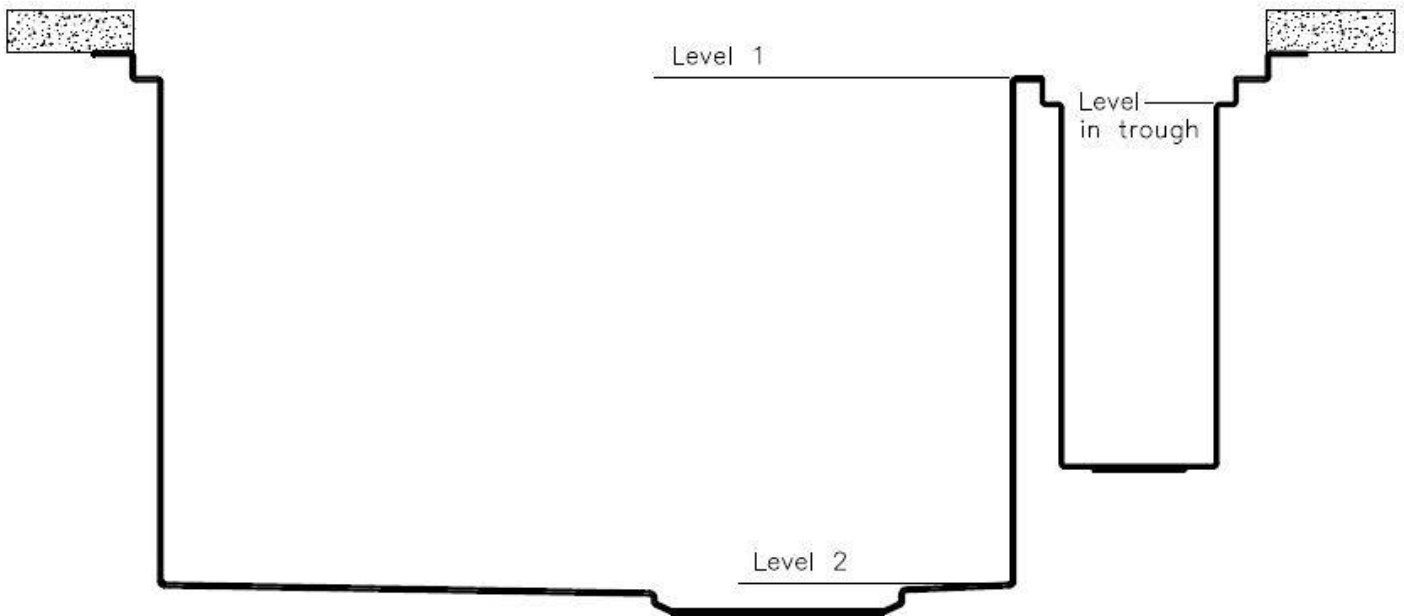
Edge positioning



Bottom positioning

Bernini Optional accessories

The "rails" system makes it possible to use a combination of numerous accessories. Grids, chopping boards, utensils' ranging system, bowls and containers of different dimensions can be alternated in the workspace with a simple gesture, and can easily be stacked, in order to be on hand at all times.



Bernini Level 1

Compatible accessories:

8100 617

8200 002

8644 044

8100 201

8153 100

8657 001

8657 002

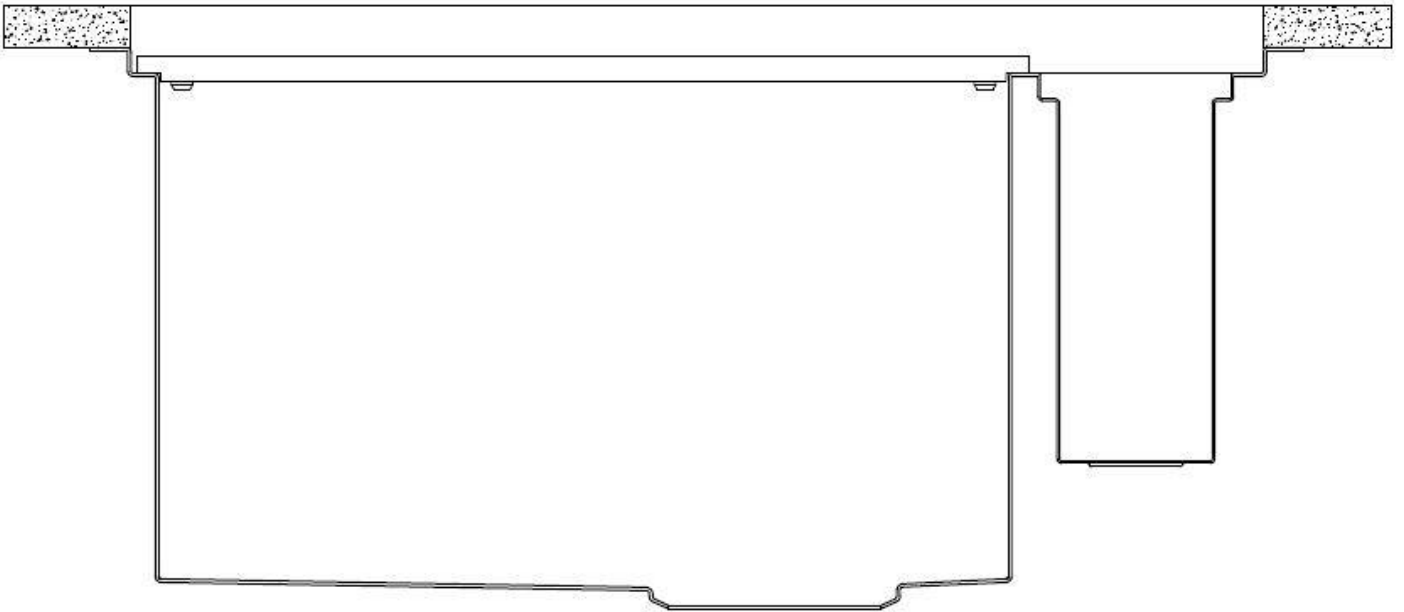
8631 300

8644 101

8151 000 (only to be matched with 8644 101)

8159 101 (only to be matched with 8644 101)

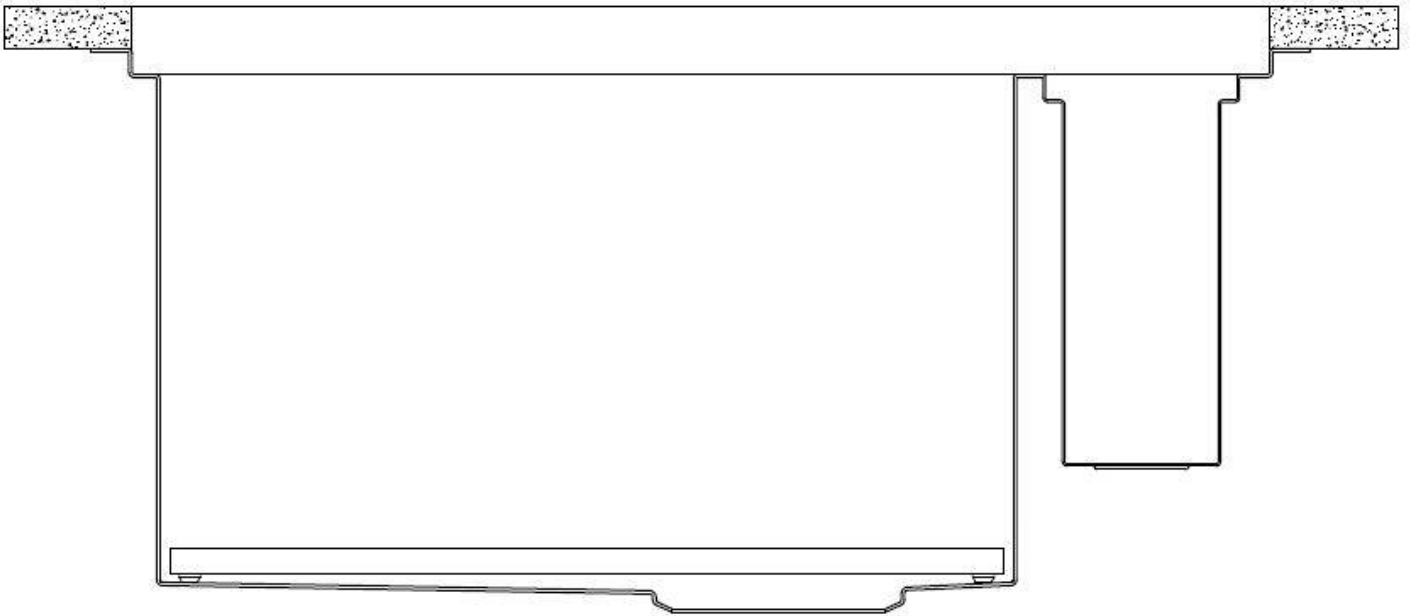
8100 303 (only to be matched with 8644 101)



Bernini Level 2

Compatible accessories:

8100 617

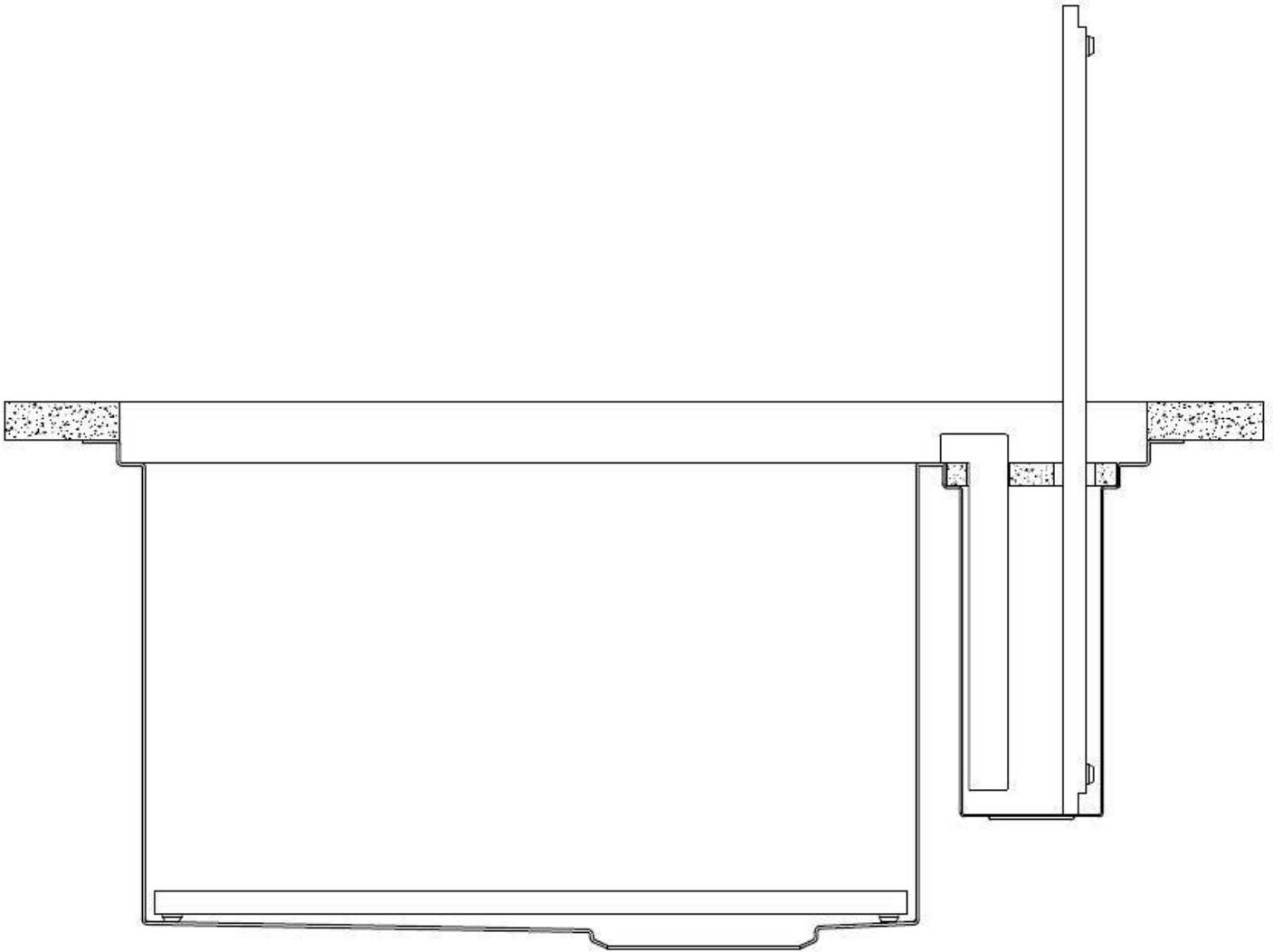


Bernini Level "in trough"

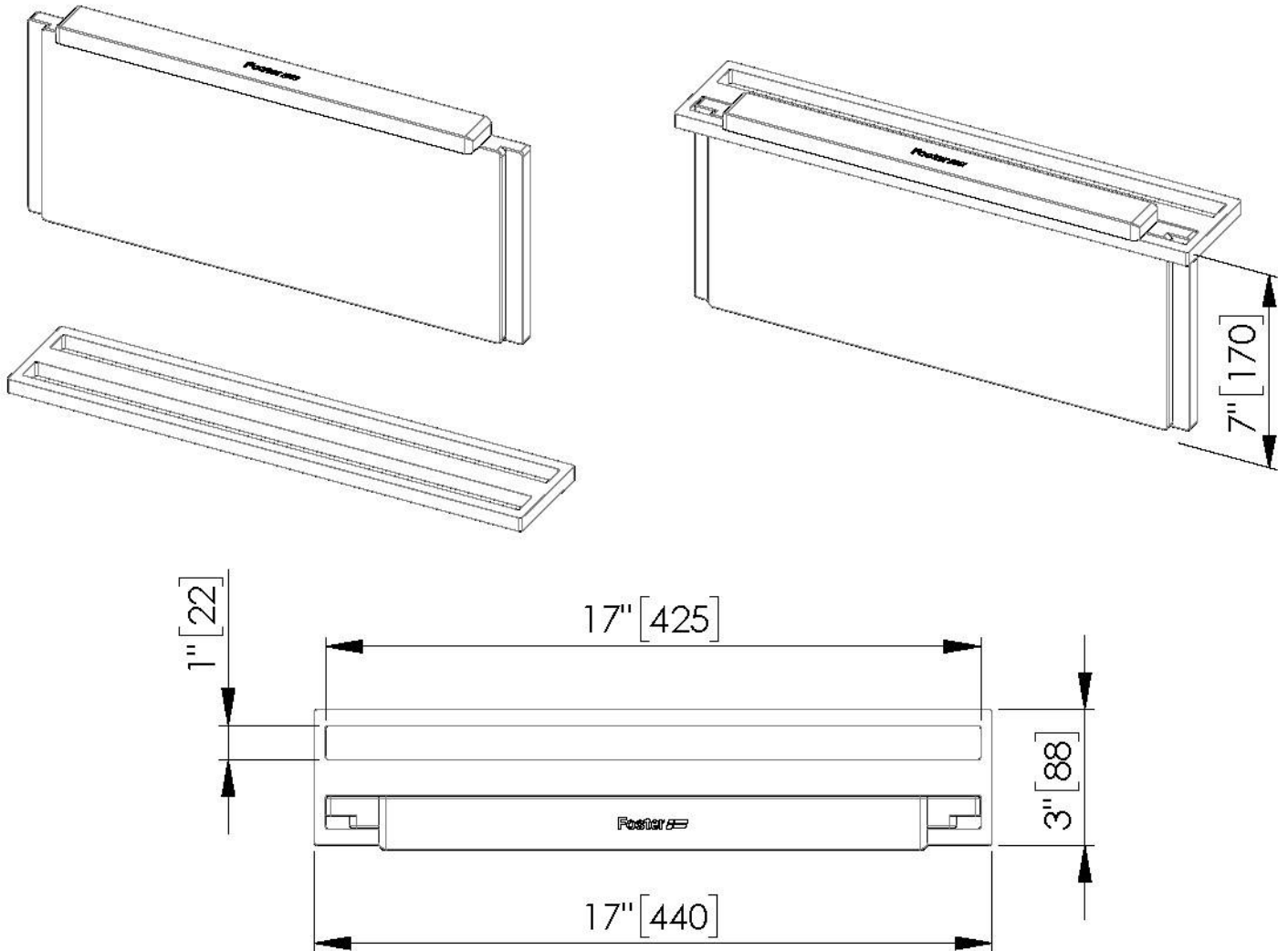
Compatible accessories:

8100 709

Kit con vaschetta



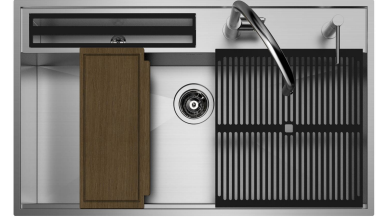
8100 709



1 x supporto black / 1 x black support

1 x tagliere Iroko 8644 105 / 1 x Iroko cutting board 8644 105

GALLERY



EQUIPMENT



Black grid
8100 617

OPTIONAL ACCESSORIES



**Steel colander (cutlery holder +
Black support)**
8100 006



Bamboo chopping board
8200 002



Black grid
8100 617



**Grating kit complete with ring
support and food collection tray**
8159 101

* only in combination with the accessory
8644 101



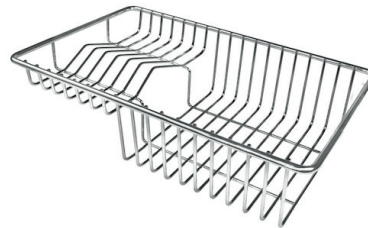
HDPE Chopping board
8657 001



HDPE Chopping board GREY
8657 002



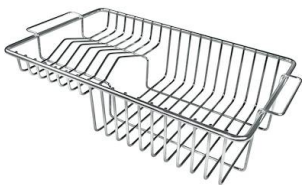
**Iroko-wood sliding chopping board
with stainless steel colander**
8644 044



Stainless Steel dishes holder
8100 303
* only in combination with the accessory
8644 101



Stainless steel perforated pan
8151 000
* only in combination with the accessory
8644 101



Stainless steel plate rack
8100 201



Waste disposer throat
8669 043



White bowl
8153 100



Twin Chopping Board
8644 101



Chopping Board
8631 300

RECOMMENDED PAIRINGS



Dispenser Evo polished
8520 010



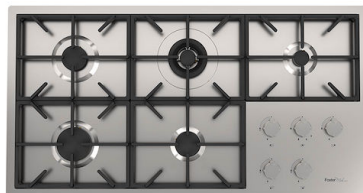
Faucet Stromboli
8471 005



Faucet Capri
8467 005



Faucet Salina
8487 005



Milano Cooktop 5 burners
7638 900